

# ScreenGuard™

## MANUAL IN-LINE SCREEN FILTERS

Manual In-Line screen filters offer high corrosion and UV protection with large filtration area which result to better filtration efficiency, excellent irrigation uniformity and less maintenance.



Corrosion & UV  
Resistance



Large  
Filtration Area



Ease of  
Operation

## Benefits & Features

- ✓ Large filtration area results in lower labor cost due to longer cleaning intervals even in harsh water conditions
- ✓ A semi-automatic feature that can be assembled into the filter
- ✓ The filter screen cylinder is molded with stainless-steel 316 screen for better longevity
- ✓ The filter housing is coated with dual layers for better uv and corrosion protection
- ✓ The filter cover is made from aluminum to allow better and easier maintenance
- ✓ A wide range of models with multiple filtration area options covering a wide range of flow rates, ensures a perfect fit for different water quality and protection requirements
- ✓ Different micron rating screens suited to a variety of applications
- ✓ Highly reliable operation and durable over time

## Applications

- Primary filtration for small holders, for use with well water and/or single use dripperline applications
- Primary filtration for landscaping applications
- Secondary filtration for media filter systems and sand separators
- In-field secondary filters for enhanced protection

## → LOGISTIC DATA

CATALOG NUMBER STARTING WITH 71980+ (ANY OF BELLOW 6 DIGITS)

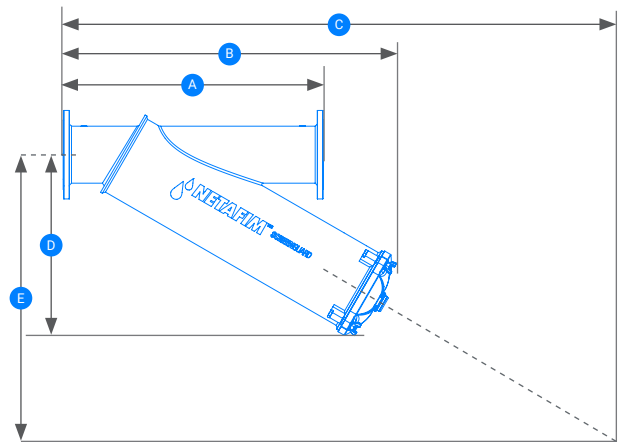
MODEL	CONN. TYPE						BOX					PALLET				
		100 MIC.	130 MIC.	200 MIC.	300 MIC.	500 MIC.	QTY. IN BOX	LENGTH (MM)	WIDTH (MM)	HEIGHT (MM)	GROSS WEIGHT PER BOX	QTY. OF BOXES IN PALLET	LENGTH (MM)	WIDTH (MM)	HEIGHT (MM)	GROSS WEIGHT PER PALLET
1½"	BSP	-	000289	000291	000293	000295	1	430	350	220	3.7 KG.	30	1050	960	1100	111 KG.
	NPT	-	000290	000292	000294	000296										
2"	BSP	000071	000074	000077	000080	000083		430	350	220	5 KG.	30	1050	960	1100	150 KG.
	NPT	000072	000075	000078	000081	000084										
	GROOVED	000070	000073	000076	000079	000082										
3"	BSP	-	000111	000113	000115	000117		700	470	220	18 KG.	20	1400	940	1100	360 KG.
	NPT	-	000112	000114	000116	000118										
	GROOVED	000090	000094	000098	000103	000107										
	ISO	000091	000095	000099	000104	000108										
	BSTD	000093	000097	000102	000106	000110										
4"	ANSI	000092	000096	000100	000105	000109		920	610	240	27 KG.	10	1220	920	1200	540 KG.
	GROOVED	000120	000124	000128	000132	000136										
	ISO	000121	000125	000129	000133	000137										
	BSTD	000123	000127	000131	000135	000139										
6"	ANSI	000122	000126	000130	000134	000138		960	670	375	64 KG.	1	930	670	375	78 KG.
	GROOVED	000150	000154	000158	000162	000166										
	ISO	000151	000155	000159	000163	000167										
	BSTD	000153	000157	000160	000165	000169										
8"	ANSI	000152	000156	000161	000164	000168	1300	900	375	78 KG.	1	1300	900	375	103 KG.	
	GROOVED	000180	000185	000190	000195	000200										
	ISO10	000181	000186	000191	000196	000201										
	ISO16	000182	000187	000192	000197	000202										
	BSTD	000184	000189	000194	000199	000204										
ANSI	000183	000188	000193	000198	000203											

For other filtration grade, please contact Netafim representative

## → TECHNICAL DIMENSIONS

CONN. DIAMETER	A (MM)	B (MM)	C (MM)	D (MM)*	E (MM)*
1½"	420	390	530	265	375
2"	420	390	530	265	375
3"	600	670	1060	350	580
4"	800	895	1495	445	810
6"	900	945	1510	515	855
8"	1000	1280	2160	695	1240

\* Minimum distance to draw screen



## → TECHNICAL INFORMATION

MODEL	FILT. AREA (CM²)	AVAILABLE CONNECTION TYPES	MAXIMUM REC. FLOW RATE (M³/H)	DRAIN VALVE DIAMS.	PRESSURE RATING (BAR)
1½"	850	BSP/NPT	15	2"	10
2"	850	BSP/NPT/VIC	25		
3"	1,700	BSP/NPT/VIC/ANSI/ISO/BSTD	50		
4"	2,550	VIC/ANSI/ISO/BSTD	80		
6"	4,000	VIC/ANSI/ISO/BSTD	160		
8"	6,350	VIC/ANSI/ISO10/VIC16/BSTD	250		

## → HEAD LOSS

