

Sonata™

DUAL PULSE OUTPUT

The Sonata is an advanced and highly accurate ultrasonic water meter for irrigation applications.



Simple



Accurate



Reliable

Benefits & Features

- ✓ Advanced and highly accurate ultrasonic water meter for irrigation applications
- ✓ Starts measuring in extremely low flow rates
- ✓ Two independent digital output channels

Specifications & Recommendations

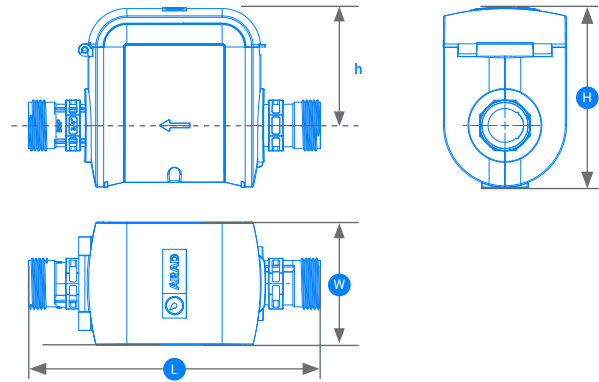
- **Maximum Working Pressure:** 16 bar
- **Maximum Water Temperature:** 50°C
- The meter can be installed in any position (horizontal, vertical or inclined)
- Prior to the installation of a new meter, the pipeline must be flushed

→ PERFORMANCE DATA

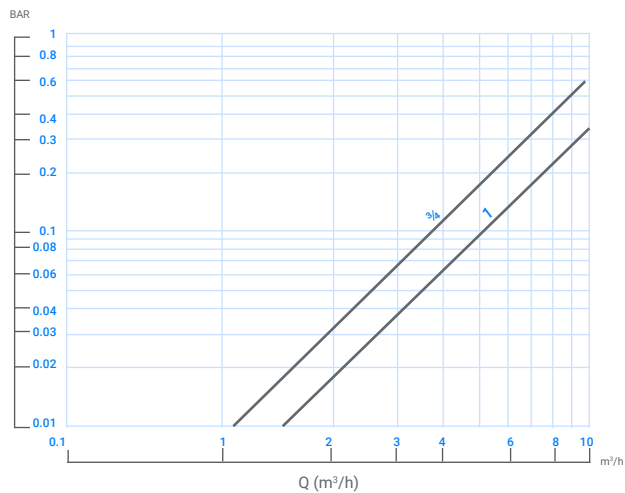
MODEL	Q1 MINIMUM FLOWRATE (L/H)	Q2 TRANSITIONAL FLOWRATE (L/H)	Q3 NOMINAL FLOWRATE (M ³ /H)	Q4 MAXIMUM FLOWRATE (M ³ /H)	STARTING FLOW (L/H)	Q3/Q1 (R VALUE)
SONATA 20	5	8.0	2.5	3.1	2	500
	8	12.8	4.0	5.0	2	
SONATA 25	12.6	20.2	6.3	7.9	3	

→ TECHNICAL DIMENSIONS

MODEL	¾"	1"
SIZE	DN20	DN25
L - LENGT (MM)	190	260
H - OVERALL HEIGHT (MM)	117	121
h - HEIGHT ABOVE AXIS (MM)	80	82
W - WIDTH (MM)	80	80
THREADS		BSP
WEIGHT (KG)		0.900



→ HEAD LOSS



→ CATALOG NUMBERS

MATERIAL	SIZE	END CONNECTION	CATALOG NUMBER
PLASTIC	¾"	NPT	70240-001621
		BSP	70240-001622
	1"	NPT	70240-001623
		BSP	70240-001624

* All Sonata water meters come with couplings set