

# Butterfly Valves

Simple, light and reliable for installation wherever there is a need to cut the flow passage in pipes and equipment.



Type A

Type B



Resilient



Robust



Resistant

## / Benefits & Features

- **Outstanding performance** Netafim manual valves are manufactured using materials of the highest quality, always complying with the standards for hydraulically operated devices
- **Ultimated durability** The quality of the Netafim butterfly valve gives it great resistance over time. The replaceable seat guarantees bidirectional watertightness, easy maintenance due to its innovative design and longer life of the valve
- **Extremely versatile** Different disc material options: ductile iron, stainless steel or aluminum bronze

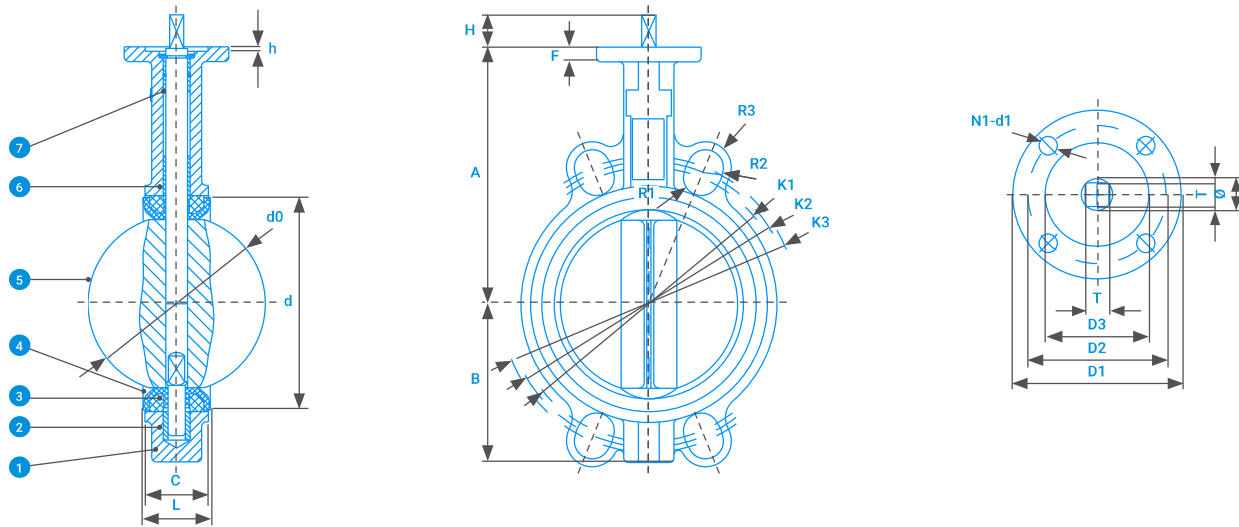
## / Specifications & Recommendations

- **Type** – Concentric
- **Pressure Grade** – PN16
- **Working Pressure** – 16bar
- **Available Diameters** – DN50 to DN600
- **Working Temperature** – 0°C to 80°C
- **Connection** – Wafer
- **Coating** – Fusion bonded epoxy 250µm

\* Other materials and specifications on request.

## → Technical Dimensions

for Body



| dn  | A   | B   | h  | d0    | c  | l  | d     | k1    | k2  | k3    | r1   | r2   | r3   | f  | d1  | d2  | d3 | h | 4-d1 | Ø     | t  |
|-----|-----|-----|----|-------|----|----|-------|-------|-----|-------|------|------|------|----|-----|-----|----|---|------|-------|----|
| 50  | 125 | 73  | 28 | 52.6  | 43 | 46 | 73.3  | 120.6 | 125 | 124   | 10.5 | -    | 10.5 | 10 | 65  | 50  | 35 | 4 | 7    | 12.6  | 9  |
| 65  | 136 | 82  | 28 | 64.3  | 46 | 49 | 86.0  | 139.7 | 145 | 145   | 10.5 | -    | 10.5 | 10 | 65  | 50  | 35 | 4 | 7    | 12.6  | 9  |
| 80  | 142 | 91  | 28 | 78.8  | 46 | 49 | 100.9 | 152.4 | 160 | 160   | 10.5 | -    | 10.5 | 10 | 65  | 50  | 35 | 4 | 7    | 12.6  | 9  |
| 100 | 163 | 107 | 28 | 104   | 52 | 55 | 132   | 180   | 180 | 190.5 | 10.5 | -    | 10.5 | 12 | 90  | 70  | 55 | 4 | 10   | 15.77 | 11 |
| 125 | 176 | 127 | 28 | 123.3 | 56 | 59 | 156   | 210   | 210 | 215.9 | 12.2 | -    | 12.2 | 12 | 90  | 70  | 55 | 4 | 10   | 18.92 | 14 |
| 150 | 197 | 143 | 28 | 155.7 | 56 | 59 | 185.4 | 240   | 240 | 241.3 | 12.2 | -    | 12.2 | 12 | 90  | 70  | 55 | 4 | 10   | 18.92 | 14 |
| 200 | 230 | 170 | 38 | 202.4 | 60 | 64 | 235.2 | 295   | 295 | 298.5 | 12.2 | 12.5 | 12.2 | 15 | 125 | 102 | 70 | 4 | 12   | 22.1  | 17 |
| 250 | 260 | 204 | 38 | 250.4 | 68 | 72 | 289.4 | 350   | 355 | 361.9 | 13.7 | 15   | 13.7 | 15 | 125 | 102 | 70 | 4 | 12   | 28.45 | 22 |
| 300 | 292 | 240 | 38 | 301.5 | 78 | 82 | 341.2 | 400   | 410 | 431.8 | 13.7 | 15   | 13.7 | 15 | 125 | 102 | 70 | 4 | 12   | 31.6  | 22 |

## → Material Specification

for Body Type A\*

| # | Component       | Material        | Specification |
|---|-----------------|-----------------|---------------|
| 1 | Body            | Ductile iron    | GGG40         |
| 2 | Shaft           | Stainless steel | AISI 420      |
| 3 | Disc            | ductile iron    | AISI 316      |
| 4 | Seat            | EPDM            | EN681         |
| 5 | Bearing         | PFTE            | Commercial    |
| 6 | Ring seal       | EPDM            | EN681         |
| 7 | Indicator plate | Stainless steel | AISI 420      |

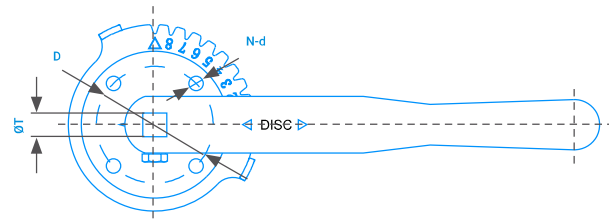
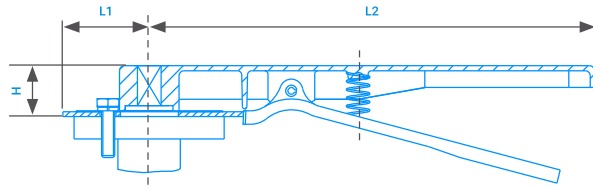
for Body Type B\*

| # | Component       | Material        | Specification |
|---|-----------------|-----------------|---------------|
| 1 | Body            | Ductile iron    | GGG40         |
| 2 | Shaft           | Stainless steel | AISI 420      |
| 3 | Disc            | stainless steel | AISI 316      |
| 4 | Seat            | EPDM            | EN681         |
| 5 | Bearing         | PFTE            | Commercial    |
| 6 | Ring seal       | EPDM            | EN681         |
| 7 | Indicator plate | Stainless steel | AISI 420      |

\* for butterfly valves up to 300mm

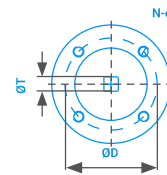
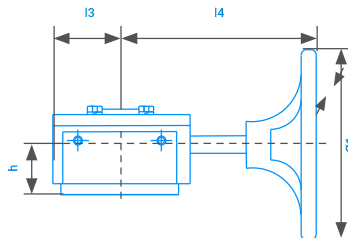
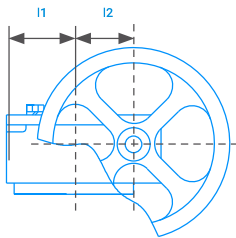
## → Technical Dimensions

for Lever



| dn  | h  | l1 | l2  | d   | N-d  | ØT |
|-----|----|----|-----|-----|------|----|
| 50  | 28 | 52 | 267 | 50  | 4-7  | 9  |
| 65  | 28 | 52 | 267 | 50  | 4-7  | 9  |
| 80  | 28 | 52 | 267 | 50  | 4-7  | 9  |
| 100 | 28 | 52 | 267 | 70  | 4-10 | 11 |
| 125 | 28 | 52 | 267 | 70  | 4-10 | 14 |
| 150 | 28 | 52 | 267 | 70  | 4-10 | 14 |
| 200 | 38 | 75 | 359 | 102 | 4-12 | 17 |
| 250 | 38 | 75 | 359 | 102 | 4-12 | 22 |
| 300 | 38 | 75 | 359 | 102 | 4-12 | 22 |

for Gearbox



| dn  | h  | l1 | l2 | l3 | l4  | Ø1  | d1  | N-d   | ØT |
|-----|----|----|----|----|-----|-----|-----|-------|----|
| 50  | 35 | 51 | 43 | 51 | 151 | 154 | 50  | 4-m6  | 9  |
| 65  | 35 | 51 | 43 | 51 | 151 | 145 | 50  | 4-m6  | 9  |
| 80  | 35 | 51 | 43 | 51 | 151 | 145 | 50  | 4-m6  | 9  |
| 100 | 35 | 51 | 43 | 51 | 151 | 145 | 70  | 4-m8  | 11 |
| 125 | 35 | 51 | 43 | 51 | 151 | 145 | 70  | 4-m8  | 14 |
| 150 | 35 | 51 | 43 | 51 | 151 | 145 | 70  | 4-m8  | 14 |
| 200 | 42 | 72 | 65 | 72 | 210 | 285 | 102 | 4-m10 | 17 |
| 250 | 42 | 72 | 65 | 72 | 210 | 285 | 102 | 4-m10 | 22 |
| 300 | 45 | 94 | 79 | 94 | 190 | 285 | 102 | 4-m10 | 22 |

## → Catalog Numbers

for Type A

| Description                             | Catalog Number |
|---|----------------|
| GAER BUTTERFLY VALVE 3" LEVER OPERATED  | 71660-000950   |
| GAER BUTTERFLY VALVE 4" LEVER OPERATED  | 71660-000951   |
| GAER BUTTERFLY VALVE 6" LEVER OPERATED  | 71660-000952   |
| GAER BUTTERFLY VALVE 8" LEVER OPERATED  | 71660-000953   |
| GAER BUTTERFLY VALVE 10" LEVER OPERATED | 71660-000954   |
| GAER BUTTERFLY VALVE 12" LEVER OPERATED | 71660-007400   |
| GAER BUTTERFLY VALVE 3" GEAR OPERATED   | 71660-000940   |
| GAER BUTTERFLY VALVE 4" GEAR OPERATED   | 71660-000941   |
| GAER BUTTERFLY VALVE 6" GEAR OPERATED   | 71660-000942   |
| GAER BUTTERFLY VALVE 8" GEAR OPERATED   | 71660-000943   |
| GAER BUTTERFLY VALVE 10" GEAR OPERATED  | 71660-000944   |
| GAER BUTTERFLY VALVE 12" GEAR OPERATED  | 71660-000945   |

for Type B

| Description                               | Catalog Number |
|---|----------------|
| GAER BUTTERFLY VALVE 2" LEVER - SST DISC  | 71660-000970   |
| GAER BUTTERFLY VALVE 3" LEVER - SST DISC  | 71660-000971   |
| GAER BUTTERFLY VALVE 4" LEVER - SST DISC  | 71660-000972   |
| GAER BUTTERFLY VALVE 6" LEVER - SST DISC  | 71660-000973   |
| GAER BUTTERFLY VALVE 8" LEVER - SST DISC  | 71660-000974   |
| GAER BUTTERFLY VALVE 10" LEVER - SST DISC | 71660-000975   |
| GAER BUTTERFLY VALVE 12" LEVER - SST DISC | 71660-000976   |
| GAER BUTTERFLY VALVE 2" GEAR - SST DISC   | 71660-000980   |
| GAER BUTTERFLY VALVE 3" GEAR - SST DISC   | 71660-000981   |
| GAER BUTTERFLY VALVE 4" GEAR - SST DISC   | 71660-000982   |
| GAER BUTTERFLY VALVE 6" GEAR - SST DISC   | 71660-000983   |
| GAER BUTTERFLY VALVE 8" GEAR - SST DISC   | 71660-000984   |
| GAER BUTTERFLY VALVE 10" GEAR - SST DISC  | 71660-000985   |

\* Additional diameters, materials and specifications are available upon request.