

NETAFIM DISC FILTERS - 3" Spin Klin™ Apollo

WHAT MAKES NETAFIM'S AUTOMATIC DISC FILTERS THE MOST TRUSTED FILTRATION SYSTEM FOR IRRIGATION?

Disc filtration is depth filtration, which means it blocks much more dirt compared to other technologies, such as screen filters. Furthermore, it is the most effective filtration for surface water, and water containing organic contaminants. Along with automatic back flushing, corrosion resistance and small footprint, disc filtration also provides unmatched efficiency and reliability.

APPLICATION

- Primary filtration system for drip, sprinklers and micro sprinklers irrigation system
- Protects irrigation systems using surface water from lakes, reservoirs and ponds - typically contains various and ever-changing types of organic matter, mostly algae

THE NETAFIM ADVANTAGE - SUPERIOR PROTECTION ACROSS EVERY DIMENSION

Being the world's experts in irrigation, we know what it takes to prevent clogging, ensure irrigation uniformity, and protect your system. Compared to other solutions, 4" Spin Klin™ Apollo Twin offers:

- 1) Better dirt removal that stops 3 times more dirt particles than competitors, thanks to the unique design of its disc grooves
- 2) Higher filtration area that allows better protection and better irrigation uniformity
- 3) Less maintenance effort owing to a unique single backbone structure with less moving parts and non-corrosive materials
- 4) Unmatched service and support for thousands of systems sold worldwide and best-in-class agricultural and technical support.

BE SURE YOU'RE MAKING THE RIGHT COMPARISON

The larger the filtration area size, the better irrigation protection you get. Resulting in less backflush cycles and less wear and tear. A larger filtration area offers better clogging resistance, better irrigation uniformity and a cleaner irrigation system that runs smoothly and lasts much longer.

OTHER FEATURES AND BENEFITS

- Modular design provides flexibility and ability to expand the system
- Easier field installations with small footprint
- Conserves water and energy due to the short and efficient backwash process
- Two different spines for accurate design in terms of filtration area and flushing cycles

DISC COLOR / MESH / MICRON

	BLUE	YELLOW	RED	BLACK
MESH	40	30	120	140
MICRON	400	200	130	100

WATER QUALITY	FILTRATION VELOCITY	3" Spin Klin™ Apollo
GOOD	170	45
AVERAGE	135	35
POOR	110	29

* Recommended flow rates for 130 microns



3" Spin Klin™ Apollo

DESCRIPTION

The 3" Spin Klin™ Apollo series are modular, all polymeric, automatic disc filters with a patented self-cleaning backwash mechanism. The 3" Spin Klin™ Apollo systems range in flow rates from 80 m³/h (352 gpm) to 320 m³/h (1,409 gpm) with filtration degrees ranging from 55 – 400 micron. Inlet /Outlet from 150 - 200 mm (6" – 8") diameter.

APPLICATION

Primary or secondary automatic filter for maximum protection in systems irrigating with surface water that contains algae and other organic matter such as reservoirs, canals, rivers and wastewater applications.

SPECIFICATIONS

- Maximum operating pressure:
 - High pressure model: 10 bar/140 psi
 - Low pressure model: 6 bar/85 psi
- Minimum backflush pressure required:
 - High pressure model: 2.1 bar/30 psi
 - Low pressure model: 1.5 bar/21 psi
- Minimum allowable pH: 5

BENEFITS

- High filtration efficiency providing maximum protection for your irrigation systems
- Modular design for ease of installation and expansion
- Durable and long-lasting product made from anti-corrosive materials
- Short and efficient backwash process
- Available for low and high pressure applications - saving water and energy
- Small footprint - saves valuable space
- High filtration area for better irrigation uniformity and system longevity even in harsh water conditions

TECHNICAL DETAILS

		3 UNITS	4 UNITS	5 UNITS	6 UNITS
MAX PRESSURE		10 bar / 150 psi			
MIN BACK FLUSH PRESSURE		2 bar / 30 psi			
RECOMMENDED FLOW RATE (100, 130 MICRONS)	AVERAGE	105 m³/h	140 m³/h	175 m³/h	210 m³/h
	POOR	90 m³/h	120 m³/h	150 m³/h	180 m³/h
FILTRATION AREA		7,860 cm²	10,480 cm²	13,100 cm²	15,720 cm²
BACKFLUSH FLOW RATE		24 m³/h			

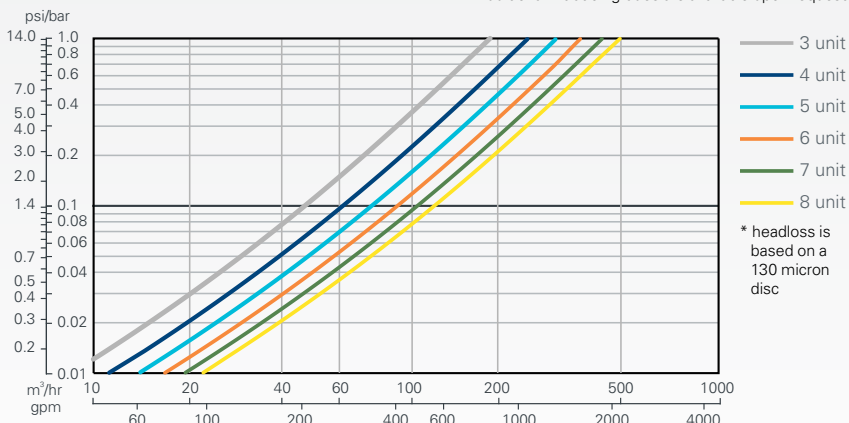
* Additional configurations are available upon request

LOGISTICS DATA

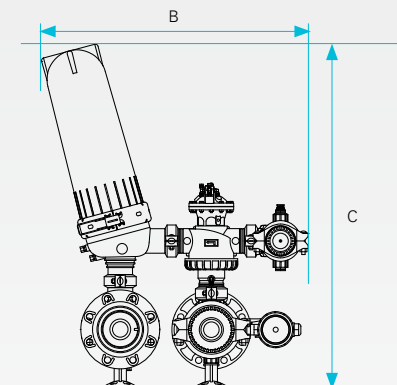
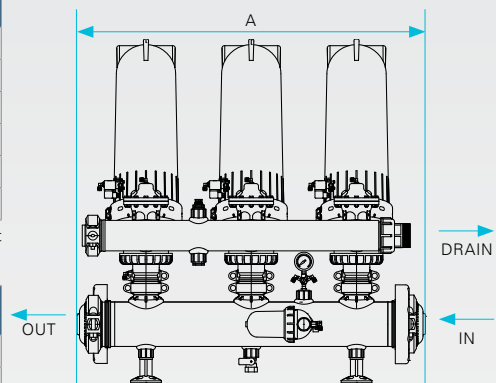
FILTRATION UNITS	IN/OUT MANIFOLDS		SAP CODE	DESCRIPTION
3	6"		70605-003687	AK APN S 336 UF 130MIC F110DC SOL DC
4	6"		70605-007760	AK APN S 436 UF 130MIC F110DC SOL DC
5	8"	ANSI	70605-009088	AK APN S 538 A 130MIC F110AC SOL DC
		DIN		
		BSTD		
6	8"	ANSI	70605-013640	AK APN S 638 A 130MIC F110AC SOL DC
		DIN	70605-013685	AK APN S 638 D 130MIC F110AC SOL DC
		BSTD		

* Items in the table refer to filtration grade of 130 micron
 ** Additional filtration grades are available upon request

HEAD LOSS GRAPHS



DIMENSIONS



	A	B	C
	LENGTH	WIDTH	HEIGHT
3 UNITS	1,160 mm (45 21/32")	941 mm (37 1/16")	1,218 mm (47 15/16")
4 UNITS	1,540 mm (60 5/8")		
5 UNITS	1,920 mm (75 19/32")		
6 UNITS	2,300 mm (90 9/16")		
7 UNITS	2,680 mm (105 1/2")		
8 UNITS	3,060 mm (120 15/32")		