

ARAD™ Irrigation Type

Irrigation meters specially designed with free water passage to allow accurate measurement of water with high content of impurities.



Maximum
reliability



Negligible
head loss



Ease of
maintenance

/ Benefits & Features

- | | |
|------------------------|--|
| → Maximum reliability | Sturdy and durable |
| → Negligible head loss | Due to a full passage throughout the meter |
| → Ease of maintenance | Replacement of the measuring unit |
| → No deposit of solids | Thanks to continued flush of the bearings |

/ Specifications & Recommendations

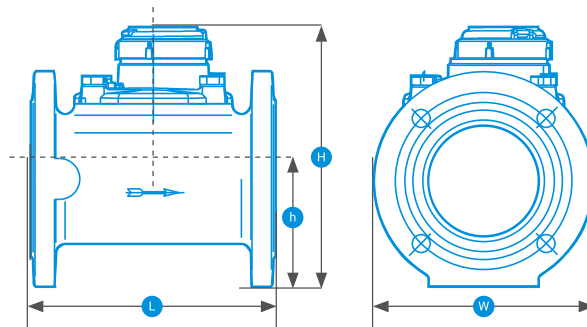
- Maximum Working Pressure – 16bar
- Maximum Working Temperature – 60°C
- Body – Cast iron, polyester coated

→ Installation Requirements

- The meter can be installed in any position (horizontal, vertical or inclined)
- The meter must be always full of water while operating
- Prior to the installation of a new meter, the pipeline must be flushed out
- Straight pipe section of the same diameter D as the meter, having length of 10D and 5D shall be installed upstream and downstream of the meter respectively

→ Technical Dimensions

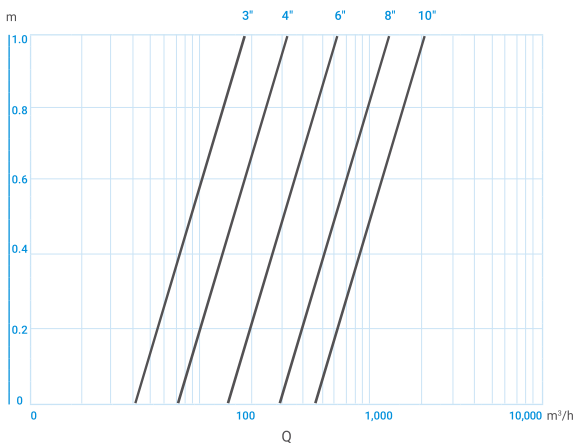
Diameter	mm	80	100	150	200	250
	inch	3	4	6	8	10
l - Length (mm) without couplings		230	250	300	350	400
w - Width (mm)		240	260	310	315	438
h - Height (mm)		90	110	129	160	258
h - Height (mm)		16.5	19	32	45	55.5
Weight (kg)		15.5	19	35	47	75



→ Performance Data

Diameter		Q1 Minimum Flowrate (m³/h)	Q2 Transitional Flowrate (m³/h)	Q3 Nominal Flowrate (m³/h)	Q4 Maximum Flowrate (m³/h)	Smallest Readable Unit (liter)	Maximum Register Capacity (m³/h)	Accuracy Between Q4 & Q2	Accuracy Between Q2 & Q1
mm	inch								
80	3	5	10	90	150	10	10 ⁷	±2%	±5%
100	4	7	11	125	250				
150	6	10	15	250	500				
200	8	18	30	450	900	100	10 ⁸		
250	10	20	70	750	1400				

→ Head Loss



→ Catalog Numbers

Diameter	Flange Type	Pulse Resolution	Catalog Number
3"	ISO	None	70240-005950
		100L	70240-006010
	BSTD	None	70240-005980
		100L	70240-006000
	ANSI	None	70261-007500
		100L	70261-007550
4"	ISO	None	70240-006060
		100L	70240-006090
	BSTD	None	70240-006070
		100L	70240-006080
	ANSI	None	70261-007800
		100L	70261-007850

Diameter	Flange Type	Pulse Resolution	Catalog Number
6"	ISO	None	70240-006150
		100L	70240-006159
	BSTD	None	70240-006160
		100L	70240-006180
8"	ISO	None	70240-006250
		1m ³	70240-006277
	BSTD	None	70240-006260
		1m ³	70240-006300
	ANSI	None	70261-008200
		1m ³	70261-008300
10"	ISO	None	70240-006358
		1m ³	70240-006390
	BSTD	None	70240-006360
		1m ³	70240-006380
	ANSI	None	70261-008500
		1m ³	70261-008550

→ Catalog Numbers

For irrigation type water meter with electronic register

Diameter	Flange Type	Pulse Resolution	Catalog Number
3"	ISO	100L x 1m ³	70240-006051
	BSTD	100L x 1m ³	70240-005935
4"	ISO	100L x 1m ³	70240-006055
	BSTD	100L x 1m ³	70240-005936
6"	ISO	100L x 1m ³	70240-006235
	BSTD	100L x 1m ³	70240-005937
8"	ISO	100L x 1m ³	70240-008613
		1m ³ x 10m ³	70240-008614
	BSTD	100L x 1m ³	70261-009849
		1m ³ x 10m ³	70240-008615
10"	ISO	1m ³ x 10m ³	70240-006420
	BSTD	1m ³ x 10m ³	70240-006421



* Additional diameters, flange types and pulse resolutions are available upon request

Note: must order

Description	Catalog Number
Pulse cable for digital register	70220-030000