

Sandstorm™

DOUBLE CHAMBER METAL MEDIA FILTER

Sandstorm media filters offers high quality media filters made from carbon steel ST-37.2 in a modular configuration with high UV and corrosion protection and with the industrial leading warranty, produces healthier crops, higher yields and more profitable farming.



Maximum
Protection



High Corrosion and
UV Resistance



Ease of
Maintenance

Benefits & Features

- ✓ High quality carbon steel media filters
- ✓ Industry leading UV/Corrosion protection due to special two layers coating
- ✓ Maximum protection and reliability in harsh conditions
- ✓ Flexible and modular design allows for future expansion as needed
- ✓ Easy installation and maintenance due to large and multiple access ports
- ✓ Mounted rings for mobile system installations
- ✓ Wide range of double and single chamber diameters
- ✓ Industry leading warranty

→ APPLICATIONS

- Primary filtration for irrigation systems using Surface water from Rivers, Streams and Canals that contain organic matter and in many cases silt and/or clay
- Irrigating systems irrigating with dripperlines in poor surface water quality in multiple season applications
- For water contain Iron (with special media)



→ HYDRAULIC PERFORMANCE

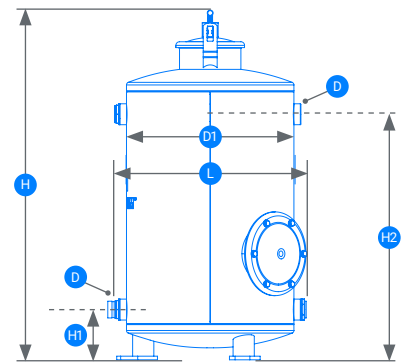
TANK DIAMETER	FILTRATION AREA		MAXIMUM RECOMMENDED FLOW RATE		BACK FLUSH FLOW RATE				MINIMUM BACK FLUSH PRESSURE BAR/PSI	MAXIMUM OPERATING PRESSURE BAR/PSI	WEIGHT EMPTY TANK	
					BASALT NUMBER 1		SILICA 16					
	M ²	FT ²	M ³ /H	GPM	M ³ /H	GPM	M ³ /H	GPM			KG	LB
12"	0.07	0.75	5	22	5.5	24	3	13	2/30	8/115	46.5	102.5
16"	0.12	1.29	8.5	35	10	44	5.5	24			60	132.2
20"	0.2	2.15	14	60	17	75	9	40			76	167.5
24"	0.29	3.12	20	90	22	97	12	53			108	237
30"	0.45	4.84	30	130	36	160	20	88			144	317.4
36"	0.65	7	45	200	50	220	28	125			190	418
48"	1.13	12.16	80	350	80	350	43	190			306	673

* Maximum recommended flow rate is based on good water quality and calculated with velocity of 70 m/h

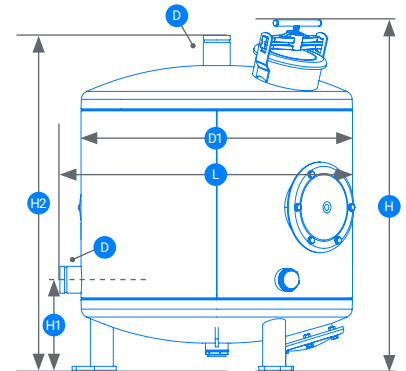
→ TECHNICAL DIMENSIONS

TANK DIAMETER	D (IN.)	D1 (IN.)	H1 (MM)	H2 (MM)	H (MM)	L (MM)	SAND QUANTITY (KG)
12"	2" (1")	12	150	785	1,120	420	60
16"	2" (1.5")	16	180	870	1,204	511	90
20"	2/3	20	180	880	1,272	611	120
24"	2/3	24	180	880	1,253	711	180
30"	3/3	30	300	1,071	1,167	876	240
36"	3	36	300	1,110	1,162	1,034	360
48"	4	48	330	1,110	1,083	1,343	575

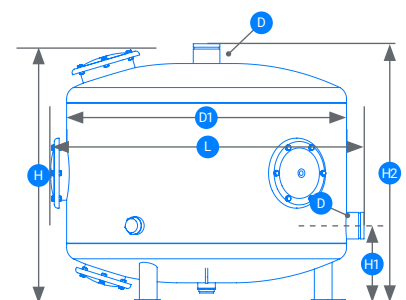
TANKS 12-24"



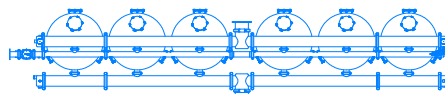
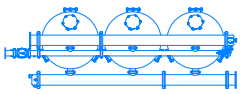
TANKS 30-36"



TANKS 48"



→ CONFIGURATION

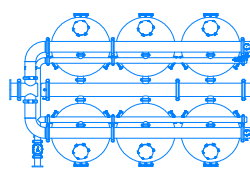
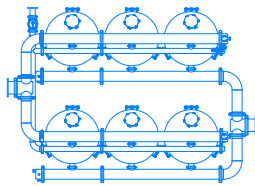


STRAIGHT-LINE

Number of tanks: 2-5

STRAIGHT-LINE CENTER FEED

Number of tanks: 5-10



PARALLEL

Number of tanks: 5-10

PARALLEL CENTERED

Number of tanks: 5-10

→ HEAD LOSS

