

# 3" SpinKlin™ DISC FILTERS

Modular, all polymeric, automatic disc filters with a patented self-cleaning backwash mechanism.



High  
Efficiency



Durable Non  
Corrosive Materials



Modular  
& Flexible

## Benefits & Features

- ✓ High filtration efficiency providing maximum protection for your irrigation systems
- ✓ Modular design for ease of installation and expansion
- ✓ Durable and long-lasting product made from anti-corrosive materials
- ✓ Short and efficient backwash process
- ✓ Available for low and high pressure applications - saving water and energy
- ✓ Small footprint - saves valuable space

## Specifications & Recommendations

- **Maximum operating pressure:**  
High pressure model: 100 M  
Low pressure model: 60 M
- **Minimum backflush pressure required:**  
High pressure model: 28 M  
Low pressure model: 15 M
- **Minimum allowable pH: 5**

### → APPLICATIONS

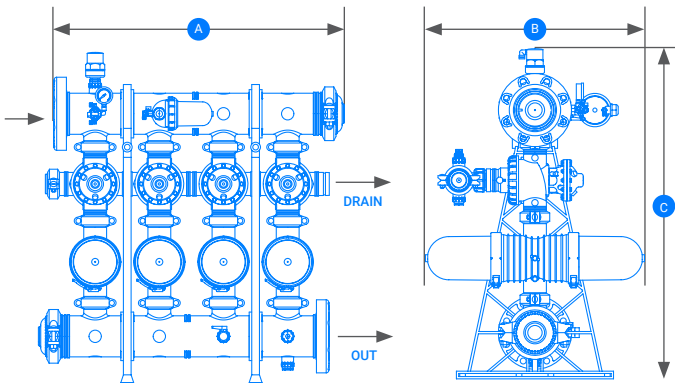
Primary or secondary automatic filter for maximum protection in systems irrigating with surface water that contains algae and other organic matter such as reservoirs, canals, rivers and wastewater applications.

## → TECHNICAL DETAILS

		3 UNITS	4 UNITS	5 UNITS	6 UNITS
MAX PRESSURE		100 M			
MIN BACK FLUSH PRESSURE		28 M			
RECOMMENDED FLOW RATE (130 MICRONS)	AVERAGE	78 M <sup>3</sup> /H	104 M <sup>3</sup> /H	130 M <sup>3</sup> /H	156 M <sup>3</sup> /H
	POOR	60 M <sup>3</sup> /H	80 M <sup>3</sup> /H	100 M <sup>3</sup> /H	120 M <sup>3</sup> /H
FILTRATION AREA		5,280 CM <sup>2</sup>	7,040 CM <sup>2</sup>	8,800 CM <sup>2</sup>	10,566 CM <sup>2</sup>
INLET/OUTLET DIAMETER		150 MM			
BACK FLUSH FLOW RATE		20 M <sup>3</sup> /H			

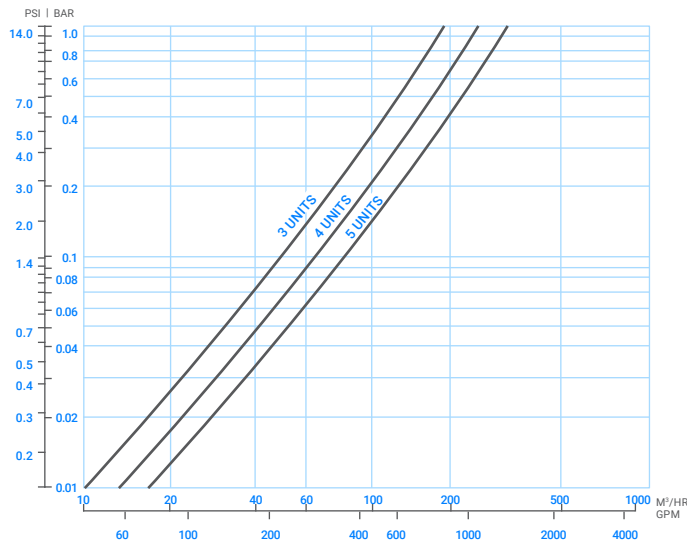
\* Additional configurations are available upon request

## → DIMENSIONS



		3 UNITS	4 UNITS	5 UNITS	6 UNITS
A	LENGTH	942 MM	1192 MM	1648 MM	1648 MM
B	WIDTH	1442 MM			
C	HEIGHT	1287 MM			

## → HEAD LOSS



\* Headloss is based on a 130 micron disc

## → DISC COLOR / MICRON

MODEL	BLUE	YELLOW	RED	BLACK
MICRON	400	200	130	100

## → WATER QUALITY (130 MICRON)

WATER QUALITY	3" SPIN KLIN™
GOOD	14
AVERAGE	13
POOR	10