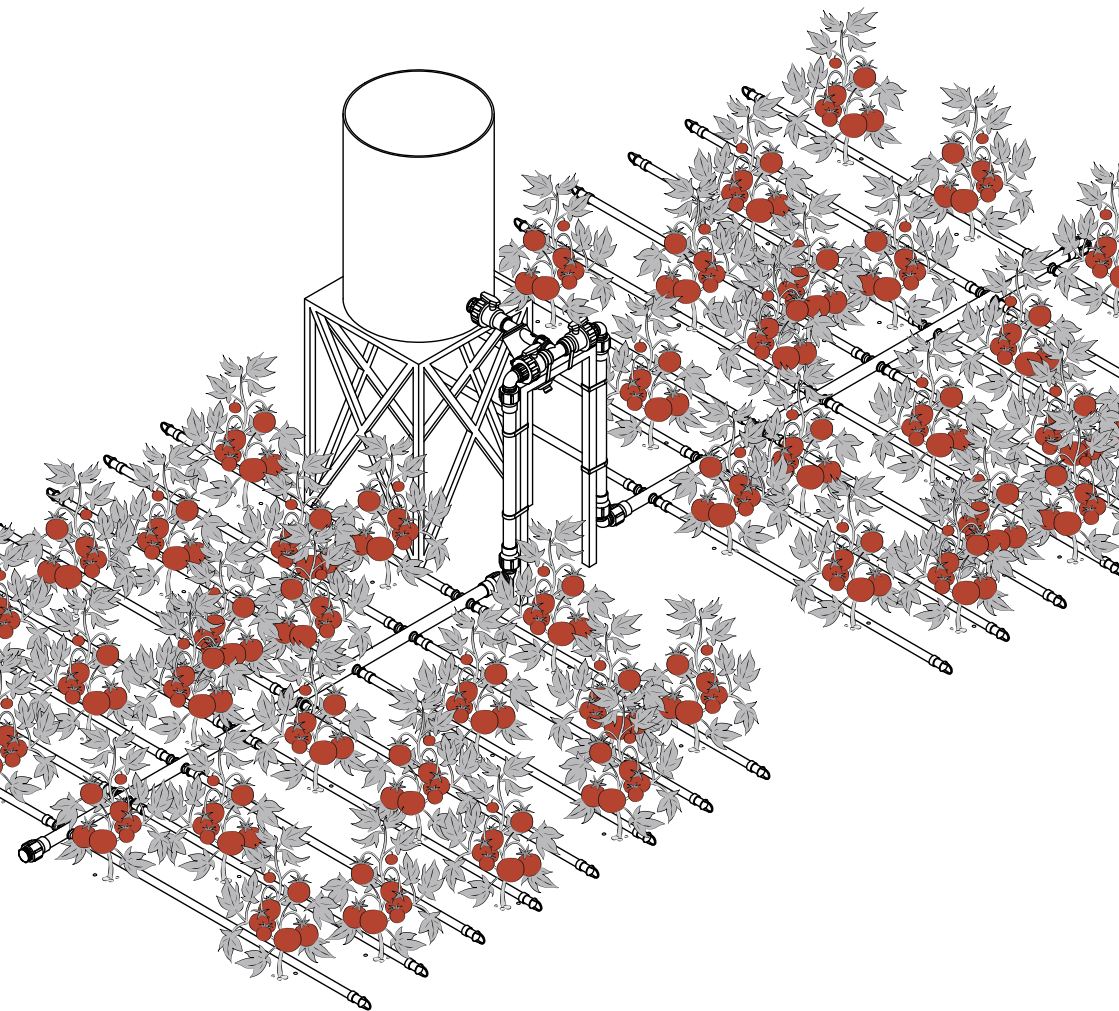


# DripK VS

## VERY SMALL DRIP SYSTEM

### 250; 500; 1000m<sup>2</sup>

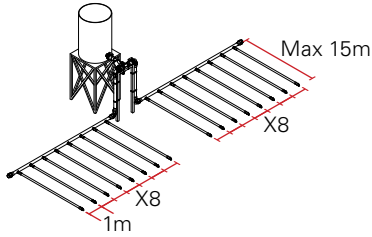


EN

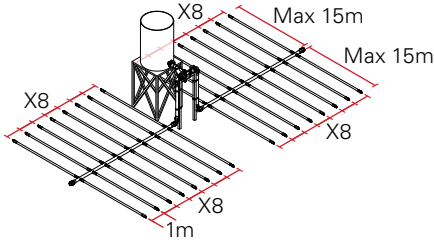
 **NETAFIM**<sup>TM</sup>  
GROW MORE WITH LESS

# Layouts

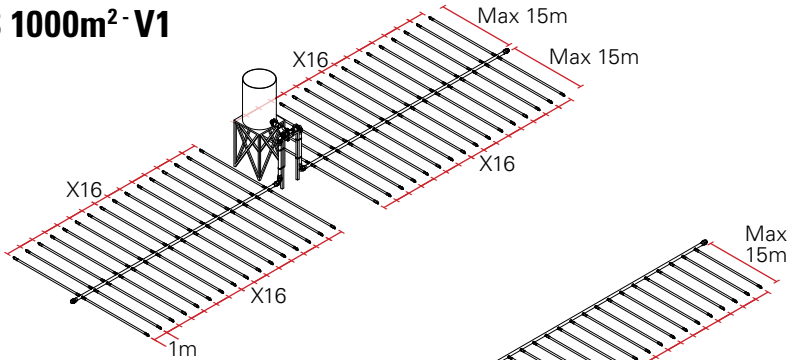
## DripK VS 250m<sup>2</sup>



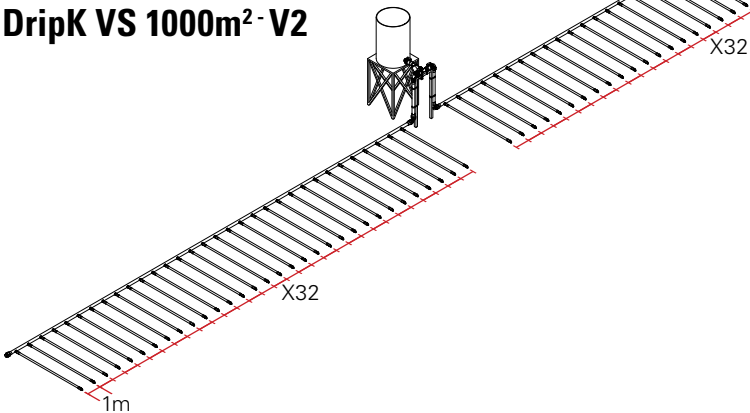
## DripK VS 500m<sup>2</sup>



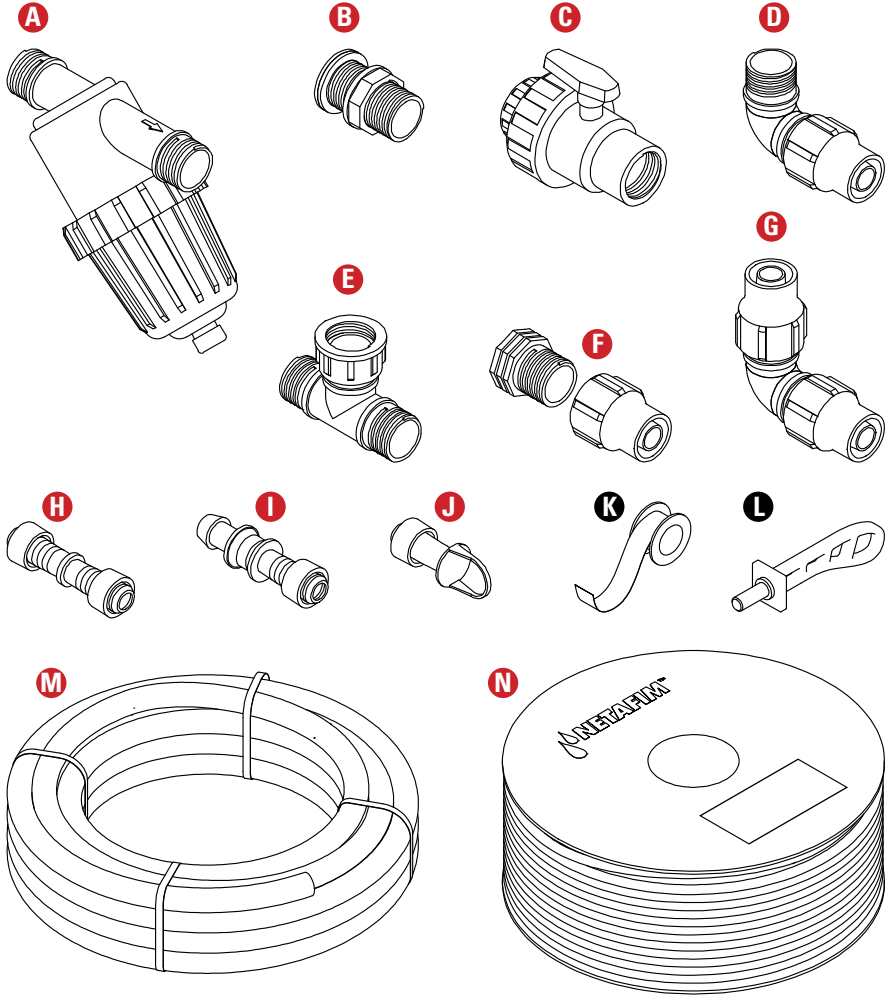
## DripK VS 1000m<sup>2</sup>- V1



## DripK VS 1000m<sup>2</sup>- V2

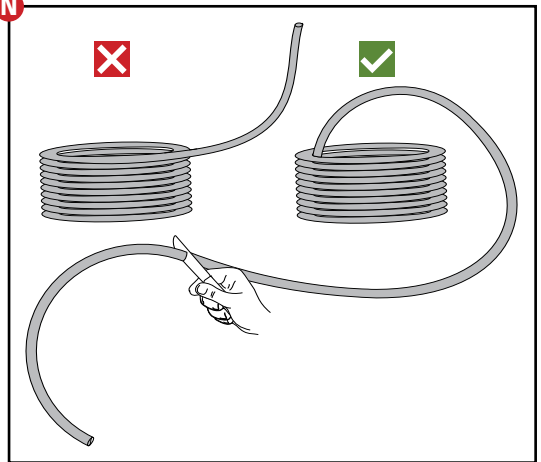
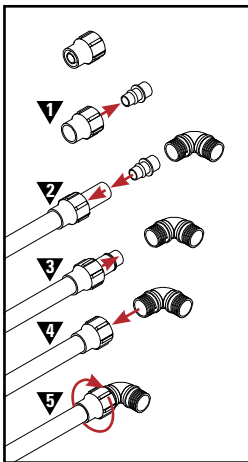
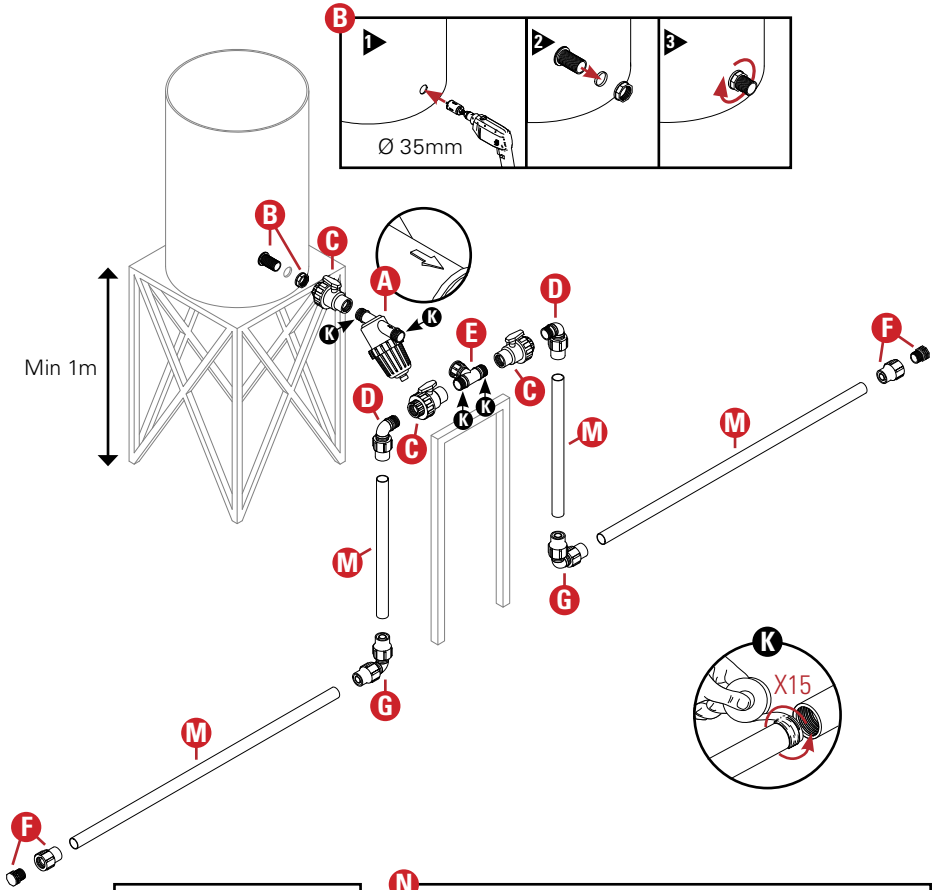


# Infield components

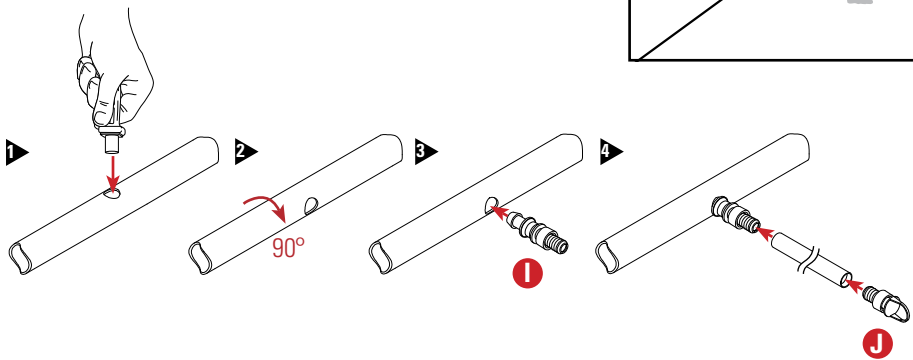
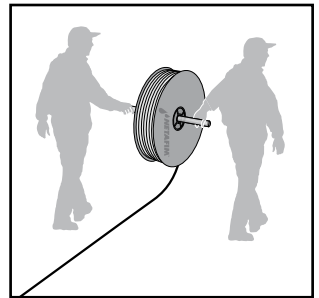
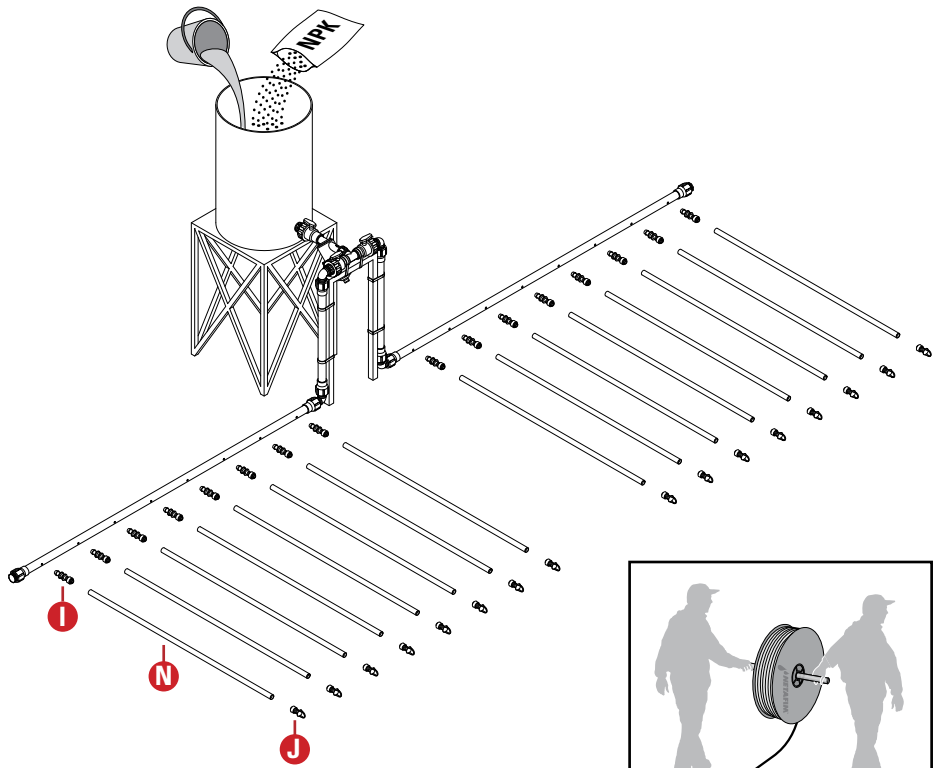


|             | A  | B  | C  | D  | E  | F  | G  | H   | I   | J   | K  | L  | M  | N  |
|-------------|----|----|----|----|----|----|----|-----|-----|-----|----|----|----|----|
| <b>250</b>  | X1 | X1 | X3 | X2 | X1 | X2 | X2 | X20 | X20 | X20 | X1 | X1 | X1 | X1 |
| <b>500</b>  | X1 | X1 | X3 | X2 | X1 | X2 | X2 | X40 | X40 | X40 | X1 | X1 | X1 | X2 |
| <b>1000</b> | X1 | X1 | X3 | X2 | X1 | X2 | X2 | X80 | X80 | X80 | X2 | X1 | X3 | X4 |

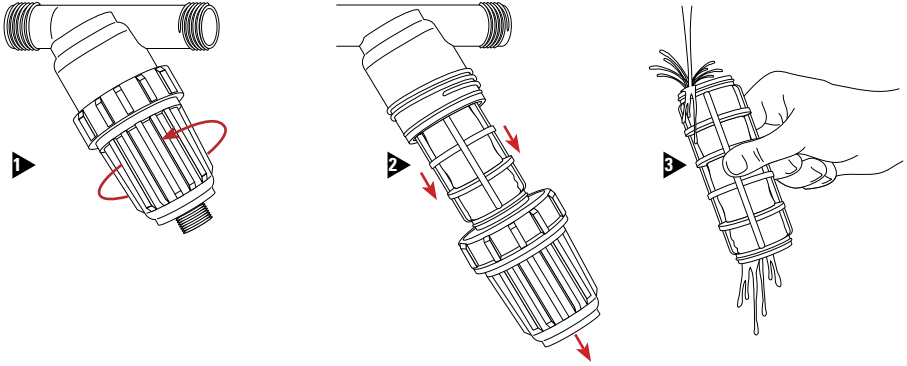
# Head assembly



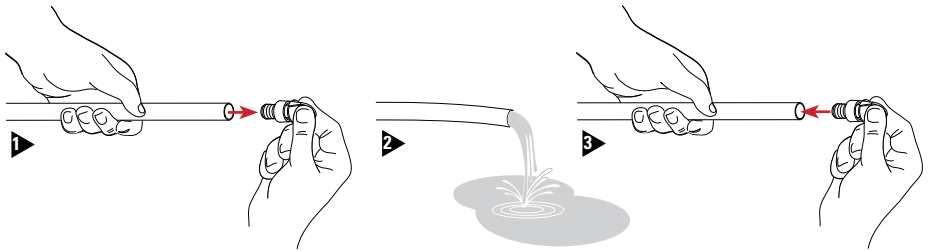
# Dripperline connection and assembly



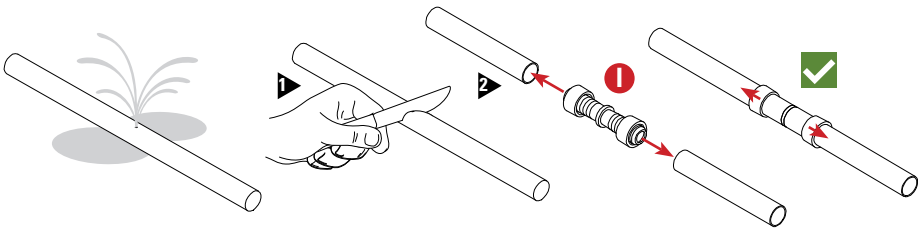
## Filter cleaning



## Dripperline flushing



## Dripperline repair



**GROW MORE WITH LESS**

[WWW.NETAFIM.COM](http://WWW.NETAFIM.COM)