

# Angle Seat Valves

## ACTUATED PISTON VALVES

The piston actuator provides a linear motion to lift the seal off its seat.



High quality



Ultimate durability



Reliable

## / Benefits & Features

- **Excellent flow rate** The flow is minimally impeded in the open position, resulting in an excellent flow rate and a low-pressure loss
- **Sturdy** Solid design
- **Multi turn liner motion throttling valve**
- **Durable** Engineering plastic raw material used for strength and durability
- **Easy maintenance** Easy to open and clean when used in underground valve box
- **Smooth movement** Using throttling wheel, makes the user operate the valve easily
- **No leakage** Within operating pressure range, when valve completely shut off  
Direction of flow mentioned
- **Versatile** Can be installed in horizontal and vertical lines
- **No vibration** Not water hammering when operated
- **Less turbulence** During throttling
- **Strong** Chemical / Corrosion Resistant & UV protected

# Specifications & Recommendations

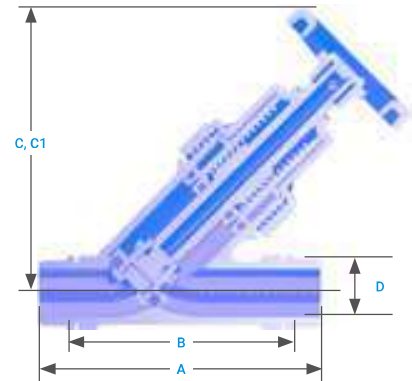
- Operating Pressure Range – up to 10bars (PN10)
- High strength polypropylene
- 2" BSP or NPT male threaded
- Manual, hand operated
- Recommended Flow – up to 50m³/h
- High quality nitrile seal

## → Technical Dimensions

Inlet - Threaded Male / Outlet Connector - Threaded Male

Size	Nom	BSP (TPI)	NPT (TPI)	A (mm)	B (mm)	C* (mm)	C1** (mm)
2"		11.00	11.50	252.0	200.0	254.0	292.0

\* When valve is fully closed  
 \*\* When valve is fully opened



## → Packaging Data

Model	Quantity Per Box (unit)	Box Sizes (cm x cm x cm)	Box Weight (kg)	Boxes Per Pallet
2"	2	39.5 x 36.5 x 14.5	2.8	63

## → Material Specifications

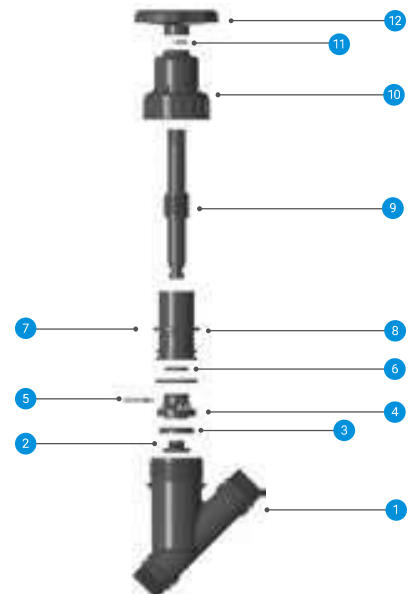
Standard Version

#	Part Name	Material	Qty.
1	Body	PP	1
2	Seal cup lock	PP	1
3	Seal	NBR	1
4	Seal cup	PP	1
5	Lock clip	PP	1
6	Stem housing o-ring (outer)	NBR	1
7	Stem housing o-ring (inner)	NBR	1
8	Stem housing	PP	1
9	Shaft	PP	1
10	Cap	PP	1
11	Lock pin	PP	1
12	Throttle wheel (purple color)	PP	1

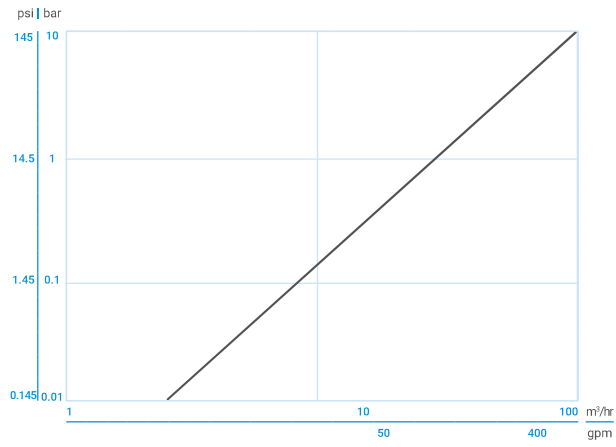
"Viton" Version

#	Part Name	Material	Qty.
1	Body	PP	1
2	Seal cup lock	PP	1
3	Seal	VITON	1
4	Seal cup	PP	1
5	Lock clip	PP	1
6	Stem housing o-ring (outer)	VITON	1
7	Stem housing o-ring (inner)	VITON	1
8	Stem housing	PP	1
9	Shaft	PP	1
10	Cap	PP	1
11	Lock pin	PP	1
12	Throttle wheel (purple color)	PP	1

PP = Polypropylene



→ Head Loss



→ Catalog Numbers

Product Illustration	Product Description	Catalog Number
	NMV PP ANGLE SEAT "Y" 2" BSP	77457-000100
	NMV PP ANGLE SEAT "Y" 2" NPT	77457-000101
	NMV PP ANGLE SEAT "Y" 2" BSP VITON	77457-000102
	NMV PP ANGLE SEAT "Y" 2" NPT VITON	77457-000103